

K-LINE DP4-24/30

DC Power Supply Unit

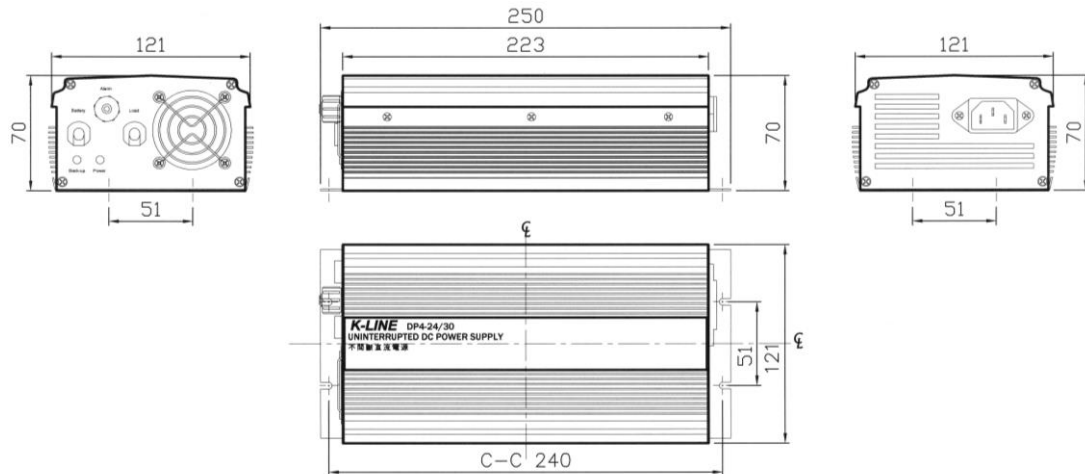


K-LINE DP4-24/30 consists of a switched mode DC power supply unit and a DC/DC voltage regulator for the back-up battery. If it is used together with a battery charger and a battery pack, under normal conditions, the DC output is supplied from the switched mode power supply unit. In case of AC failure, the DC output is then supplied from the back-up battery via the DC/DC voltage regulator, thus forming an uninterrupted DC power supply system.

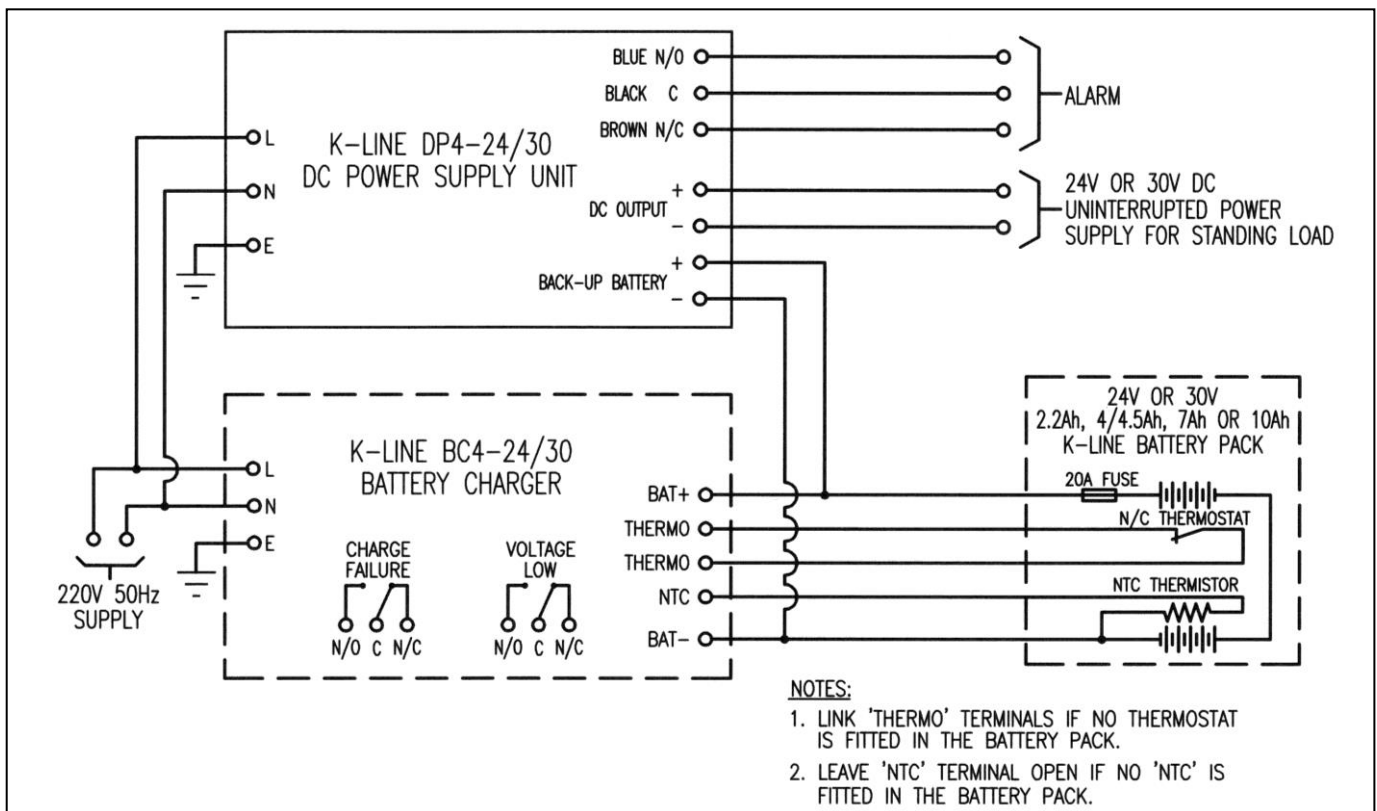
Specifications of the Uninterrupted Power Supply System

AC Input	200-240V 50/60Hz 1.5A			
Back-up Battery	24V or 30V			
DC Output	24V/6.2A or 30V/5A selectable			
Low Battery Voltage Protection	$\leq 1.0V/\text{cell}$, battery supply stopped $\geq 1.2V/\text{cell}$, battery supply resumes			
Cooling Fan	On/Off automatically controlled by internal temperature sensor			
AC LED	Off		Green	
	Power Off		Power on	
Back-up Battery LED	Off	Green	Red	Amber
	Battery disconnected	Battery stand-by	Battery in use (> 0.1A)	Battery voltage $\leq 1V/\text{cell}$
Alarm Switch (Default setting is off)	Back-up battery disconnected or stand-by		Back-up battery in use or voltage low	
	Off		On	
Approximate Battery Back-up Time	24V Battery Pack		30V Battery Pack	
	4/4.5Ah	10Ah	4/4.5Ah	10Ah
	45min	100min	55min	120min
Weight	1.2Kg			

Outline Dimensions



Wiring Connection Diagram



Rickson Engineering Ltd.
21/F, Sun Hing Ind. Building,
46 Wong Chuk Hang Road, Hong Kong.

利信機電有限公司
香港黃竹坑道 46 號
新興工業大廈 21 字樓

Tel: (852) 3120 7500 Fax: (852) 3120 7511

Email: general@rickson.com.hk

Website: <http://www.rickson.com.hk>